

# Gas Discharge Tube

## GTCx28-xxxx-P05

### Standard Two Electrode Series

Document: SCD 25819  
Status: Released  
Rev. B Date: August 6, 2004

#### GENERAL DESCRIPTION

#### BENEFITS

- Helps provide overvoltage fault protection against high energy surges
- Suitable for sensitive equipment due to excellent impulse sparkover response
- Suitable for high-frequency applications
- Highly reliable performance

#### FEATURES

- Crowbar device with low arc-voltage
- Low capacitance and insertion loss
- High accuracy spark-over voltages for high precision designs
- Tested per ITU K.12 recommendations
- Non-radioactive materials

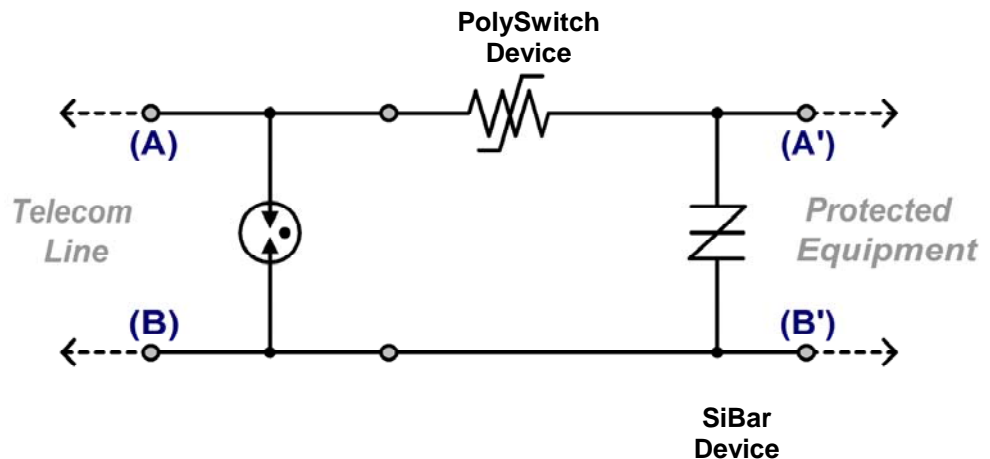
#### APPLICATIONS

- Telecommunications:
  - MDF modules, xDSL equipment, RF system protection
- Industrial Electronics and Commercial Electronics, such as
  - Power Supplies, Surge Protectors, Alarm systems

#### SYMBOL



#### TYPICAL APPLICATION SCHEMATIC



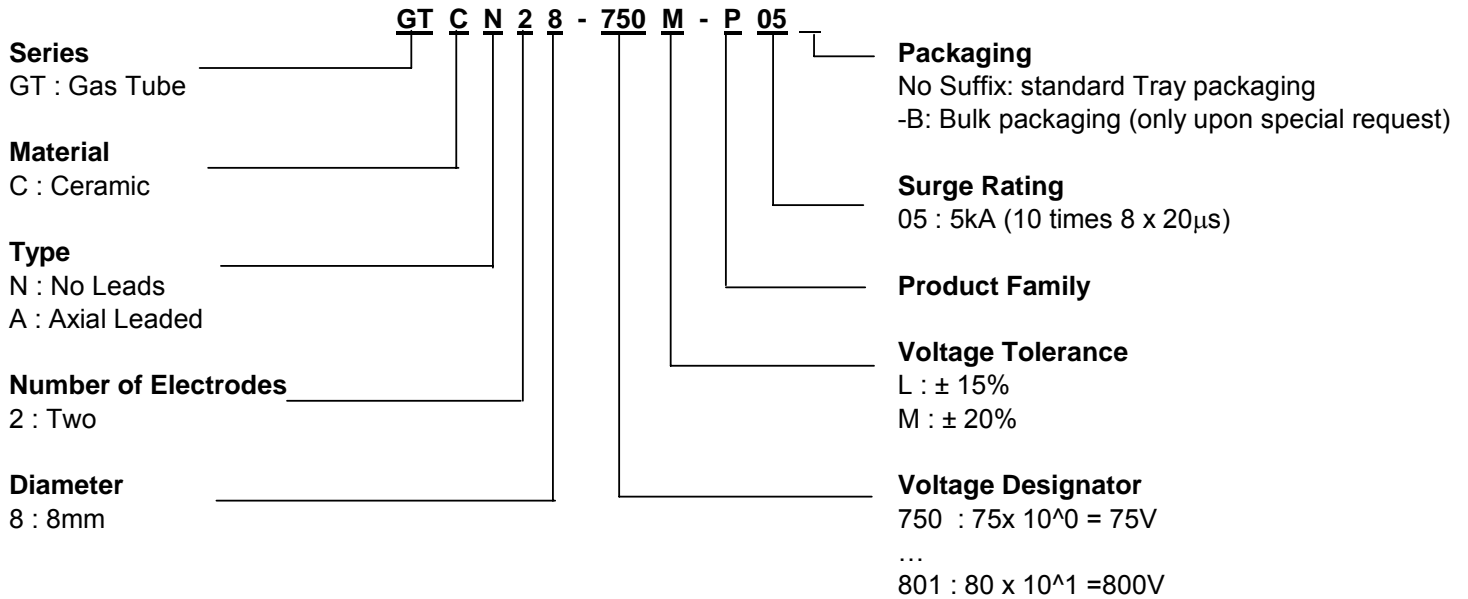
**Gas Discharge Tube**  
**GTCx28-xxxx-P05**  
**Standard Two Electrode Series**

www.tycopowercomponents.com

Document: SCD 25819  
Status: Released  
Rev. B Date: August 6, 2004

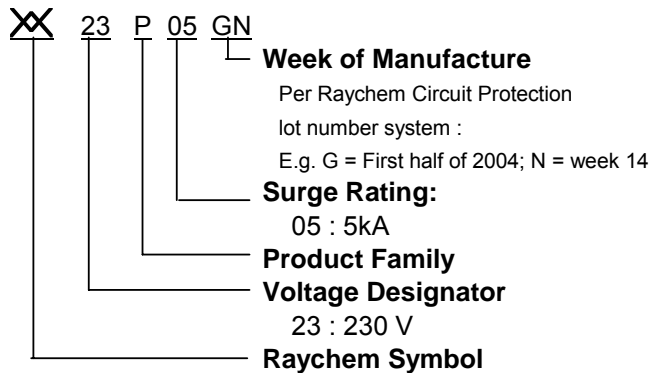
**PART NUMBERING**

EXAMPLE:



**DEVICE MARKING**

EXAMPLE : GTC28-231L-P05:



# Gas Discharge Tube

## GTCx28-xxxx-P05

### Standard Two Electrode Series

www.tycopowercomponents.com

Document: SCD 25819  
Status: Released  
Rev. B Date: August 6, 2004

#### GENERAL CHARACTERISTICS

No Radioactive Material

Storage temperature: -40°C ... +90°C

Operating temperature: -40°C ... + 90°C

Body : Nickel Plated

Leads : Tin Plated

UL 497B Pending



#### DEVICE RATINGS AND CHARACTERISTICS

Part Number	DC Sparkover Voltage	Impulse Sparkover Voltage		Insulation Resistance	Capacitance	DC Holdover Voltage	Impulse Life	Impulse Discharge Current 8/20 $\mu$ s		AC Discharge Current, 50 Hz	
	@ 100V/s	@ 100V/ $\mu$ s	@ 1kV/ $\mu$ s	@ 100V	@ 1MHz	Per ITUK.12	10/1000 $\mu$ s, 500A	Single Hit	Repeat 10 times (5 times each polarity)	Single Hit, 9 Cycles	Repeat (1s interval)
GTCN28-750M-P05 GTCA28-750M-P05	75V $\pm$ 20%	$\leq$ 500V	$\leq$ 700V	$\geq$ 10,000M $\Omega$ <sup>1</sup>	$\leq$ 1.0pF	$\leq$ 52V	300 times	10kA	5kA	65A	10A, 5 times
GTCN28-900M-P05 GTCA28-900M-P05	90V $\pm$ 20%	$\leq$ 500V	$\leq$ 700V	$\geq$ 10,000M $\Omega$ <sup>1</sup>	$\leq$ 1.0pF	$\leq$ 52V	300 times	10kA	5kA	65A	10A, 5 times
GTCN28-151M-P05 GTCA28-151M-P05	150V $\pm$ 20%	$\leq$ 500V	$\leq$ 700V	$\geq$ 10,000M $\Omega$ <sup>1</sup>	$\leq$ 1.0pF	$\leq$ 80V	300 times	10kA	5kA	65A	10A, 5 times
GTCN28-231L-P05 GTCA28-231L-P05	230V $\pm$ 15%	$\leq$ 600V	$\leq$ 750V	$\geq$ 10,000M $\Omega$	$\leq$ 1.0pF	$\leq$ 135V	300 times	10kA	5kA	65A	10A, 5 times
GTCN28-251L-P05 GTCA28-251L-P05	250V $\pm$ 15%	$\leq$ 600V	$\leq$ 800V	$\geq$ 10,000M $\Omega$	$\leq$ 1.0pF	$\leq$ 135V	300 times	10kA	5kA	65A	10A, 10times
GTCN28-301L-P05 GTCA28-301L-P05	300V $\pm$ 15%	$\leq$ 700V	$\leq$ 850V	$\geq$ 10,000M $\Omega$	$\leq$ 1.0pF	$\leq$ 150V	300 times	10kA	5kA	65A	10A, 10times
GTCN28-351L-P05 GTCA28-351L-P05	350V $\pm$ 15%	$\leq$ 700V	$\leq$ 850V	$\geq$ 10,000M $\Omega$	$\leq$ 1.0pF	$\leq$ 150V	300 times	10kA	5kA	65A	10A, 10times
GTCN28-401L-P05 GTCA28-401L-P05	400V $\pm$ 15%	$\leq$ 700V	$\leq$ 850V	$\geq$ 10,000M $\Omega$	$\leq$ 1.0pF	$\leq$ 150V	300 times	10kA	5kA	65A	10A, 10times
GTCN28-471L-P05 GTCA28-471L-P05	470V $\pm$ 15%	$\leq$ 700V	$\leq$ 850V	$\geq$ 10,000M $\Omega$ <sup>2</sup>	$\leq$ 1.0pF	$\leq$ 150V	300 times	10kA	5kA	65A	10A, 10times
GTCN28-601L-P05 GTCA28-601L-P05	600V $\pm$ 15%	$\leq$ 800V	$\leq$ 1,000V	$\geq$ 10,000M $\Omega$ <sup>2</sup>	$\leq$ 1.0pF	$\leq$ 150V	300 times	10kA	5kA	65A	10A, 10times
GTCN28-801L-P05 GTCA28-801L-P05	800V $\pm$ 15%	$\leq$ 1,000V	$\leq$ 1,200V	$\geq$ 10,000M $\Omega$ <sup>2</sup>	$\leq$ 1.0pF	$\leq$ 150V	300 times	10kA	5kA	65A	10A, 10times

Note 1. Insulation Resistance at 50 V<sub>DC</sub>.

Note 2. Insulation Resistance at 250 V<sub>DC</sub>.

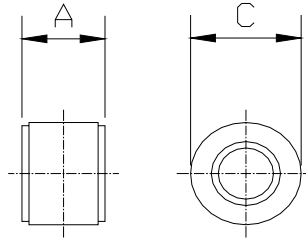
**Gas Discharge Tube**  
**GTCx28-xxxx-P05**  
**Standard Two Electrode Series**

www.tycopowercomponents.com

Document: SCD 25819  
Status: Released  
Rev. B Date: August 6, 2004

**DIMENSIONS**

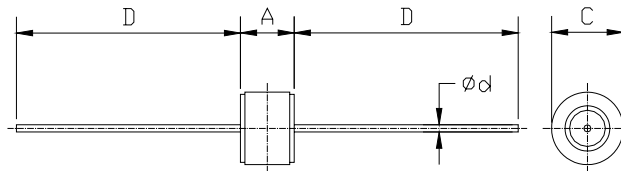
No Leads (GTCN28-xxxx-P05)



	A		C	
	MIN	MAX	MIN	MAX
mm:	5.7	6.3	7.7	8.3
in*:	0.22	0.25	0.30	0.33

\*Rounded off approximation

Axial Leads (GTCA28-xxxx-P05)



	A		C		D		Ød
	MIN	MAX	MIN	MAX	MIN	MAX	NOM
mm:	5.7	6.3	7.7	8.3	28.0	32.0	0.8
in*:	0.22	0.25	0.30	0.33	1.10	1.26	0.03

\* Rounded off approximation



# Gas Discharge Tube

## GTCx28-xxxx-P05

### Standard Two Electrode Series

---

Document: SCD 25819  
Status: Released  
Rev. B Date: August 6, 2004

#### PACKAGING

Packaging	Bulk* ( vacuum bags)	Tray	Standard Box
Quantity	200	100	1,000**

\* Standard packaging is in trays.  
Bulk packaging is only available upon request.

\*\* 5 bags or 10 trays

Information furnished is believed to be accurate and reliable. However, users should independently evaluate the suitability of each product for their applications. Tyco Electronics Corporation assumes no responsibility for the use of its product or for any infringement of patents or other rights of third parties resulting from the use of its product. No license is granted by implication or otherwise under any patent or proprietary right of Tyco Electronics except the right to use such product for the purpose for which it is sold. Tyco Electronics reserves the right to change or update, without notice, any information contained in this publication; to change, without notice, the design, construction, processing, or specification of any product; and to discontinue or limit production or distribution of any product. This publication supersedes and replaces all information previously supplied. Without express written consent by an officer of Tyco Electronics, Tyco Electronics does not authorize the use of any its products as components in nuclear facility applications, aerospace, or in critical life support devices or systems. Tyco Electronics' only obligations are those in the Tyco Electronics Standard Terms and Conditions of Sale and in no case will Tyco Electronics be liable for any incidental, indirect, or consequential damages arising from the sale, resale, use, or misuse of its products.

**Raychem** is a trademark of Tyco Electronics Corporation

© 2004 Tyco Electronics Corporation